

# Graphic Recorder

GR200 series

Graphic Recorder

GR200 series

---




## FEATURES

- **High-definition screen** : 5.7" TFT-LCD 640×480 pixel
- **Multi input type** : 2 kinds of RTD, 12 kinds of thermocouple, 4 kinds of DC voltage
- **Trend screen function** : Users can input special event messages on the graphs
- **Supply big capacity memory** : SD and SDHC memory card available
- **422/485 communication function (Modbus, PC Link)** : Supply communication program for free
- **3 different languages** : Korean, English, Chinese (simplified/traditional)
- **Ability to save data and back up parameter through SD Card**
- **Remote monitoring by smart phone**

# Graphic Recorder

# GR200 series

## SPECIFICATIONS

Model		GR200
Appearance		
W x H x D (mm)		144 (W) × 144 (H) × 173.5 (D)
Power supply voltage		100 - 240 VAC (voltage fluctuation : ±10 %)
Power frequency		50 - 60 Hz
Power consumption		max 22 VA
Input	Channel	2 Channels, 4 channels, 8 Channels, 12 Channels
	Input type	RTD 2 type (Pt-100, KPt-100), Thermocouple 12 type (K, J, E, T, R, B, S, L, N, U, Wre 5-26, PL-II), DC voltage 4 type (-10 - 20 mV, 0 - 100 mV, 1 - 5 V, 0 - 30 V)
	Sampling time	250 ms
	Accuracy	±0.15 % of FS ±1 digit (Except RJC temperature error)
	RJC temperature error	±1.5 °C (0 ~ 50 °C)
	Burn-out	Display UP-Scale
Alarm	Alarm setting	2 settings within each channel
	Alarm type	High/Low, Alarm within high/low range, Alarm without high/low range etc.
Save function	Internal memory	Non-volatile flash memory (80 MB) : In case of 1 second of record cycle, It saves data for 15 days
	External memory	SD card (2GB) : In case of 1 second of record cycle, it saves data for 1 year. (Support SDHC)
	File type	FAT 16/32 (SD card)
	Record cycle	1, 2, 5, 10, 20, 30, 60, 120 sec
	LIST	Display important event messages in the trend view
Display	Indicator	TFT color LCD (115.2 mm × 86.4 mm, 640 × 480 pixel) LED Backlight
	Language	Korean, English, Chinese
	Backlight life	40,000 hours
	Screen setting	Trend view, Text view, Bar view
	Save history view	Check saved data and Provide zoom in & zoom out function
DI (Option)	External direct input (DI)	2 contacts, 4 contacts
	Input type	Non-voltage contact input
Output (Option)	Contact output	6 contacts, 12 contacts (NO)
	Contact capacity	3 A 250 V a.c. (3 A 30 V d.c.)
Weight		Approx. 1.3 kg

# Graphic Recorder

# GR200 series

## Suffix code

Model	Code			Information
GR200 -	<input type="checkbox"/>	<input type="checkbox"/>	<input type="checkbox"/>	Graphic recorder 145(W) x 145(H) x 173.5(D) mm
Number of channels	2			2 channels
	4			4 channels
	8			8 channels
	12			12 channels
External contact	N		None	
input & output	1		DI 2 contact + DO 6 contact (relay)	
(DI / DO)	2		DI 4 contact + DO 12 contact (relay)	
Communication	0		RS422/485	

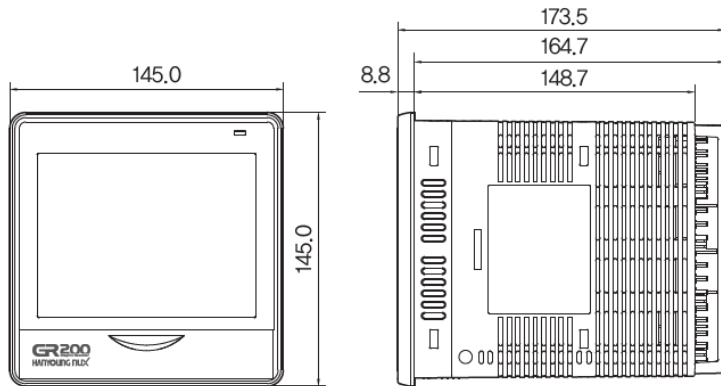
※ Ethernet is available when using our ethernet converter(HMCE).

# Graphic Recorder

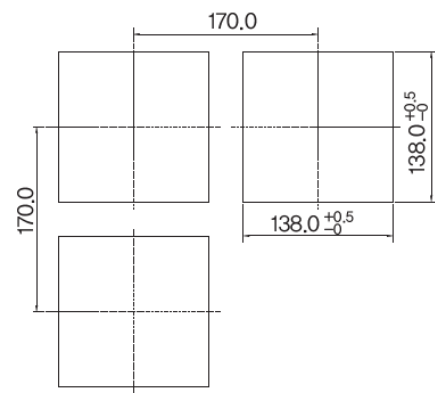
# GR200 series

## Dimension and panel cutout / connection diagram

- Dimension (Unit : mm)



- Panel cutout (Unit : mm)



- Terminal wiring diagram

